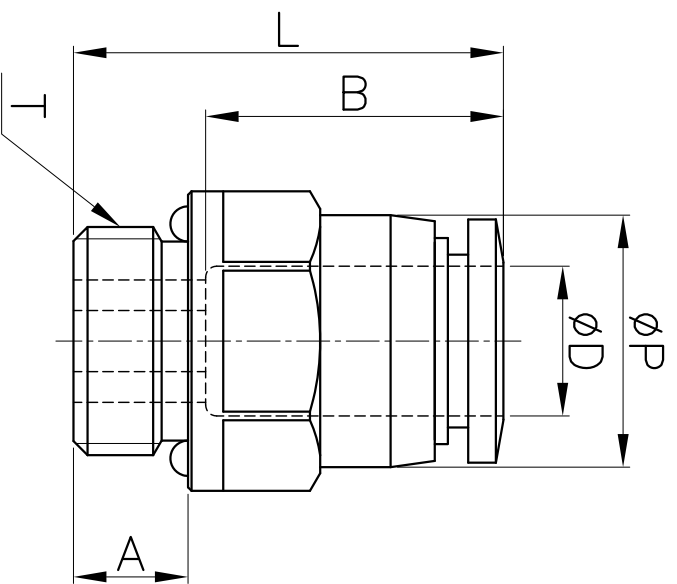
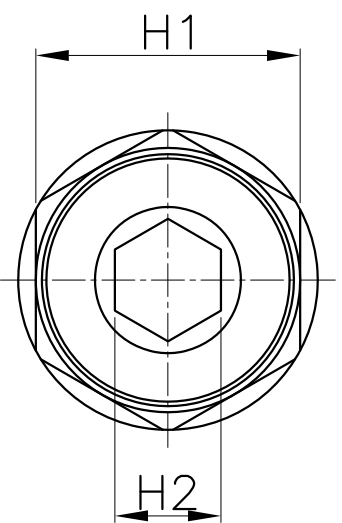


# PC-G



MODEL	ØD	ØP	T	L	A	B	H1 (Hex)	H2 (Hex)	ORIFICE	WEIGHT (g)	BOX(EA)
PC04-G01	4	10.3	G 1/8	20.0	5.0	14.8	13	3	3.0	11.0	100
PC04-G02			G 1/4	21.5	6.5		15	3	3.0	19.0	100
PC04-G03	6	12.3	G 3/8	21.5	6.5	16.4	17	3	3.0	28.0	100
PC06-G01			G 1/8	21.2	5.0		13	4	4.0	10.0	100
PC06-G02			G 1/4	23.2	6.5		15	5	5.0	17.0	100
PC06-G03	8	14.3	G 3/8	22.2	6.5	18.4	17	5	5.0	23.0	100
PC08-G01			G 1/8	26.9	5.0		15	5	5.0	17.0	100
PC08-G02			G 1/4	24.4	6.5		15	6	6.0	16.0	100
PC08-G03	10	16.5	G 3/8	23.4	6.5	19.7	17	6	6.0	24.0	100
PC08-G04			G 1/2	23.9	8.0		21	6	6.0	38.0	50
PC10-G01	12	19.0	G 1/8	28.9	5.0	21.9	17	5	5.0	22.0	100
PC10-G02			G 1/4	28.9	6.5		17	6	6.0	23.0	100
PC10-G03			G 3/8	25.4	6.5		17	8	8.0	20.0	100
PC10-G04	14	21.8	G 1/2	25.9	8.0	23.8	21	8	8.0	39.0	50
PC12-G02			G 1/4	31.7	6.5		19	6	6.0	29.0	50
PC12-G03	16	24.0	G 3/8	27.2	6.5	24.0	19	8	8.0	23.0	50
PC12-G04			G 1/2	28.2	8.0		21	8	8.0	36.0	50
PC14-G03	16	24.0	G 3/8	33.5	6.5	24.0	22	10	10.0	48.0	25
PC14-G04			G 1/2	32.8	8.0		24	10	10.0	57.0	25
PC16-G03	16	24.0	G 3/8	36.5	8.0	24.0	24	10	10.0	55.0	25
PC16-G04			G 1/2	36.5	9.0		24	10	10.0	62.0	25